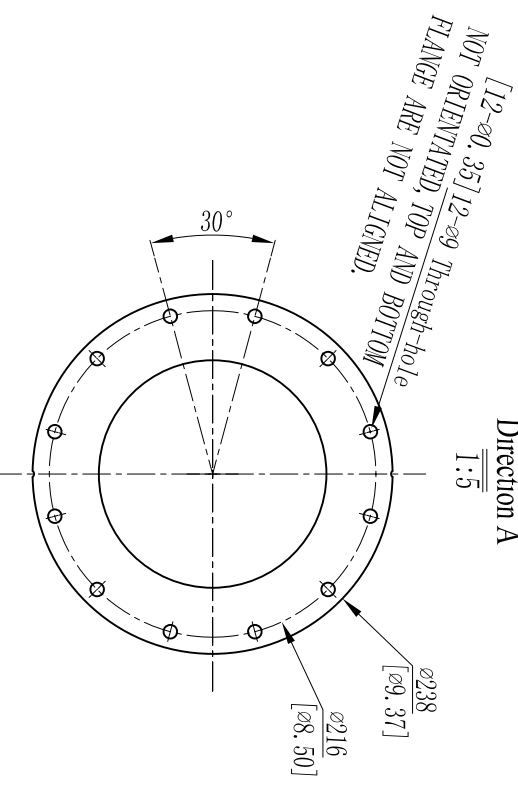


MODEL	A			VOLUME			DOME VOLUME			WEIGHT			
	mm	inch	+/-	mm	inch	liters	U.S. gal	cubic FT	liters	U.S. gal	cubic FT	Kg	LBS
36x72	2213	87.13	15	0.59	998	263.7	35.26	125.8	33.21	33.21	4.44	132.6	292.7
36x57	1913	75.31	15	0.59	776	205.0	27.42	125.8	33.21	33.21	4.44	106.9	235.2



- NOTES:
- TANK MUST MEET ALL APPLICABLE SPECIFICATIONS OF NSF/ANSI 044 STANDARD, LATEST REVISION.
 - OPERATING SPECIFICATIONS:
 - MAXIMUM WORKING PRESSURE - 150 PSI (10.3BAR)
 - TEMPERATURE RANGE - 34-150° F (1-65°C)
 - MAXIMUM VACUUM - 5"Hg (127mm Hg)
 - VISUAL LINER INSPECTION
 - NO MORE THAN 20 INTERNAL OR EXTERNAL BLEMISHES OR BURNT DEBRIS.
 - NO INTERNAL OR EXTERNAL BLEMISHES OR BURNT DEBRIS LARGER THAN 5×5mm.
 - NO INTERNAL BLEMISHES OR BURNT DEBRIS ALLOWED.
 - ALL GLASS STRANDS FROM FIBERGLASS LINER TO BE BONDED AND COVERED.
 - SURFACE TO BE FREE OF NICKS, SCRATCHES, RESIN AND GLASS.
 - SURFACE FINISH.
 - DIMENSIONS IN PARENTHESIS ARE REFERENCE ONLY.
 - DIMENSIONS IN SQUARE PARENTHESIS ARE INCH UNITS.
 - TANK TO BE BONDED TO BASE.
 - USING A STANDARD LEVEL WITH TANK POSITIONED ON A LEVEL SURFACE, DATUM B TO BE PARALLEL WITH DATUM A. BUBBLE OF LEVEL MUST FALL COMPLETELY WITHIN LINES WHEN MEASURED AT 90° INTERVALS WHEN PLACED ON THE TOP OF THE FLANGE.
 - AFTER THE TANK IS LEVELED, IT IS RECOMMENDED THAT THE TANK BE BOLTED TO THE FLOOR IN SIX POSITIONS PER THE TRIPOD BASE BOLT HOLE PATTERN WITH 3/8" ANCHORS.

VERSION NO.	5	THIS DRAWING IS UPDATED COMPLYING WITH THE CHINESE VERSION	SIGNATURE	DATE	2008/10/30
REFERENTIAL PLASTIC SHRINKAGE (IF NECESSARY):					
SIGNATURE			DATE		
DESIGN	NAME	DATE	WAVE CYBER (SHANGHAI) CO., LTD.		
INSPECTION			SCALE	MATERIAL	MODEL
APPROVAL			1 : 10	SMOOTHNESS	36" FRP PRESSURE VESSEL (DOUBLE FLANGE OPENING)
THIS PRODUCT DRAWING CAN NOT BE COPIED AND/OR USED WITHOUT PRIOR WRITTEN APPROVAL OF WAVE CYBER.			PROJECTION	COMPUTER CODE	DRAWING NO.
			DO NOT MEASURE THE DIMENSIONS.	UNIT: MM	TOTAL PAGE: 1
				VERSION NO.	5