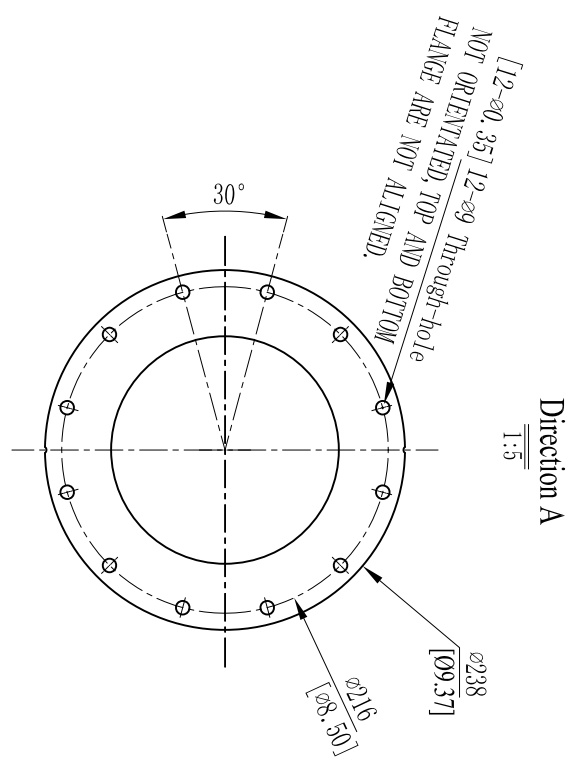


MODEL	VOLUME		DOME VOLUME		STRAIGHT WALL AREA	WEIGHT				
	liters	U.S. gal	cubic FT	liters			U.S. gal	cubic FT	sq. m	sq. FT
48x72	1895	500.6	66.96	221.7	58.57	7.83	4.84	52.10	247	543.4



- NOTES:
- TANK MUST MEET ALL APPLICABLE SPECIFICATIONS OF NSF/ANSI 044 STANDARD, LATEST REVISION.
 - OPERATING SPECIFICATIONS:
 - A. MAXIMUM WORKING PRESSURE - 150 PSI (10.5BAR)
 - B. TEMPERATURE RANGE - 34-150° F (-1-65°C)
 - C. MAXIMUM VACUUM - 5" Hg (127mm Hg)
 - VISUAL LINER INSPECTION
 - A. NO MORE THAN 20 INTERNAL OR EXTERNAL BLEMISHES OR BURNT DEBRIS.
 - B. NO INTERNAL OR EXTERNAL BLEMISHES OR BURNT DEBRIS LARGER THAN 5x5mm.
 - C. NO INTERNAL BLEMISHES OR BURNT DEBRIS ALLOWED.
 - ALL GLASS STRANDS FROM FIBERGLASS LINER TO BE BONDED AND COVERED.
 - SURFACE TO BE FREE OF NICKS, SCRATCHES, RESIN AND GLASS.
 - SURFACE FINISH.
 - DIMENSIONS IN PARENTHESES ARE REFERENCE ONLY.
 - DIMENSIONS IN SQUARE PARENTHESES ARE INCH UNITS.
 - TANK TO BE BONDED TO BASE.
 - USING A STANDARD LEVEL WITH TANK POSITIONED ON A LEVEL SURFACE. DATUM B TO BE PARALLEL WITH DATUM A. BUBBLE OF LEVEL MUST FALL COMPLETELY WITHIN LINES WHEN MEASURED AT 90° INTERVALS WHEN PLACED ON THE TOP OF THE FLANGE.
 - AFTER THE TANK IS LEVELLED, IT IS RECOMMENDED THAT THE TANK BE BOLTED TO THE FLOOR IN SIX POSITIONS PER THE TRIPOD BASE BOLT HOLE PATTERN WITH 3/8" ANCHORS.

VERSION NO. 2		THIS DRAWING IS UPDATED COMPLYING WITH THE CHINESE VERSION		SIGNATURE		DATE 2008/10/30	
REFERENTIAL PLASTIC SHRINKAGE (IF NECESSARY):		DESCRIPTION OF CHANGES:		SIGNATURE		DATE	
SIGNATURE		DATE		SCALE 1 : 10		MODEL DESCRIPTION 48" FRP PRESSURE VESSEL (DOUBLE FLANGE OPENING)	
DESIGN NAME		MATERIAL		QUANTITY		SMOOTHNESS	
INSPECTION		PROJECTION		COMPUTER CODE		DRAWING NO. 113482-00	
APPROVAL		DO NOT MEASURE THE DIMENSIONS.		UNIT: MM		VERSION NO. 2	
WAVE CYBER (SHANGHAI) CO., LTD.				TOTAL PAGE: 1			