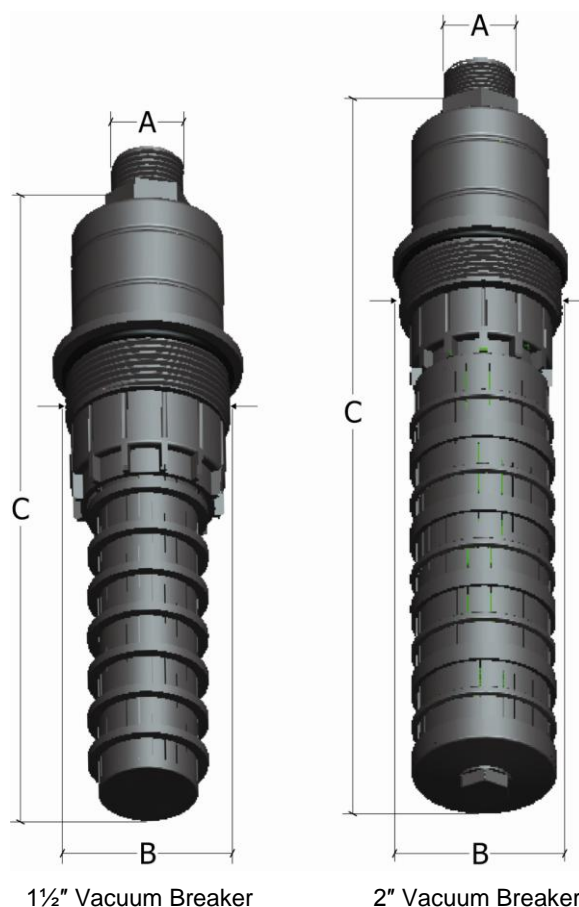
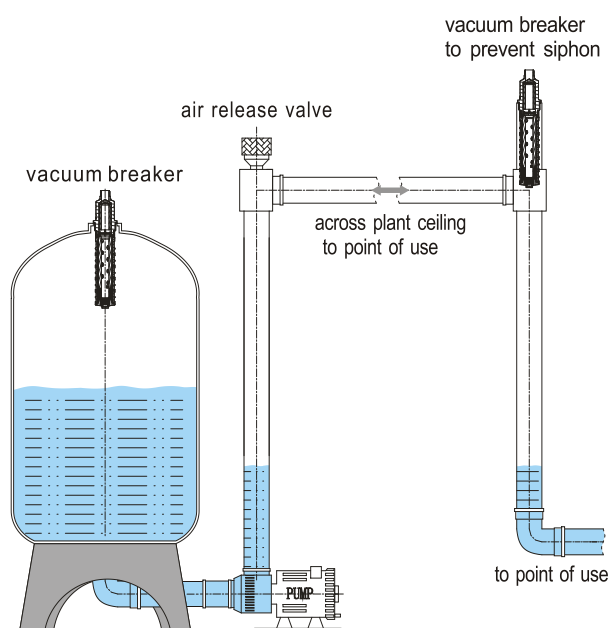




Vacuum Breaker

The vacuum breaker should be installed at the highest location in the system. The vacuum breaker must be mounted in the upright position.



1 1/2" Vacuum Breaker - Specification

Description	Part Number	A	B	C
1 1/2" Vacuum Breaker -NPT	11386	1/2"-NPT	1-1/2"-NPT	200mm
1 1/2" Vacuum Breaker -BSP	11387	1/2"-BSPP	1-1/2"-11BSP	200mm

* 1 1/2" vacuum breaker are recommended for piping up to 2"(50mm) in diameter.

2" Vacuum Breaker - Specification

Description	Part Number	A	B	C
2" Vacuum Breaker -NPT	11388	3/4"-NPT	2"-NPT	300mm
2" Vacuum Breaker -BSP	11389	3/4"-BSPP	2"-BSP	300mm

* 2" vacuum breaker are recommended for piping from 2"(50mm) to 4"(100mm) in diameter.