

1

2

3

4

5

6

A

B

C

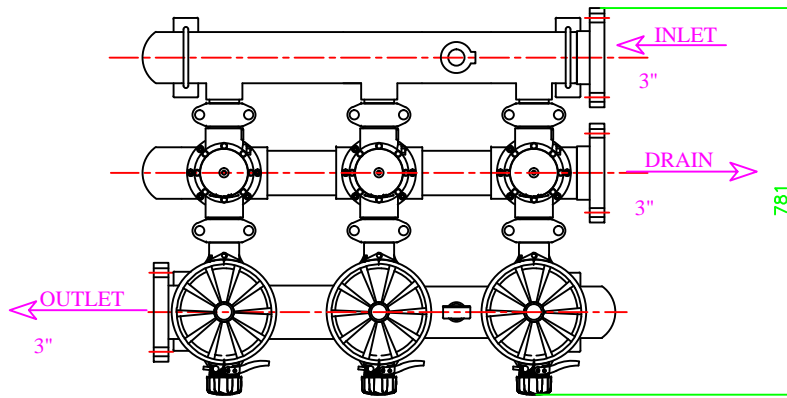
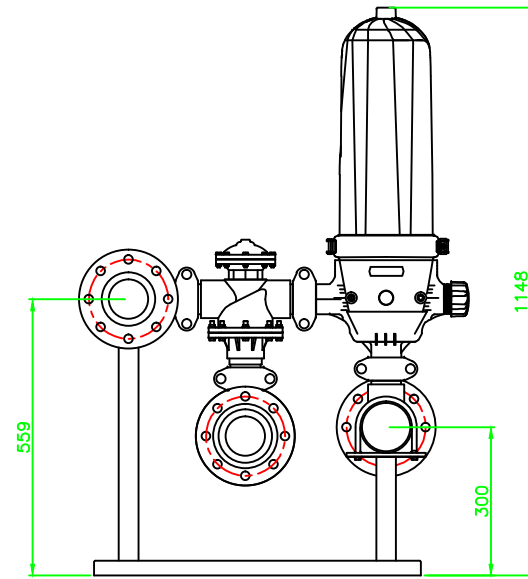
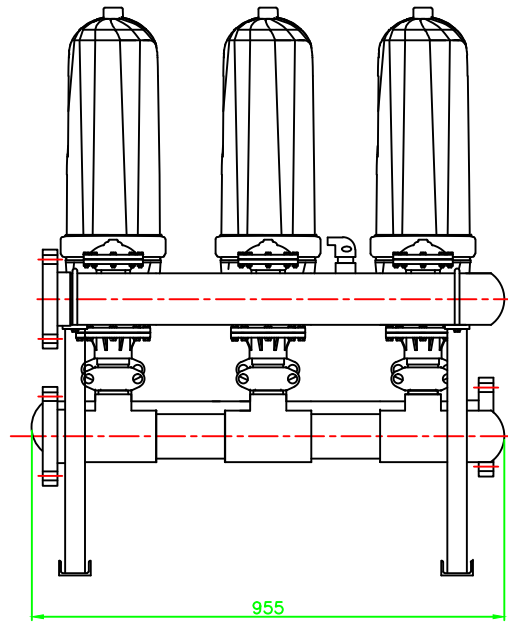
D

A

B

C

D



NOTES:

- 1. PIPING MATERIAL: UPVC
- 2. CONNECTION TYPE: GB PN1.0.
- 3. MANUAL VALVES SHALL BE INSTALLED AT THE INLET AND OUTLET OF THE DISC FILTER.
- 4. THE DRAIN PIPE SHALL BE CONNECTED TO THE DRAINAGE SYSTEM.
- 5. POWER SUPPLY: 220V/1PHASE/50HZ.
- 6. CONCRETE FOUNDATION (HEIGHT: 200MM)
- 7. AND EXPANSION ANCHOR BOLTS ARE SUGGESTED FOR SITE INSTALLATION.

							Beijing Haiao Technologies Co., Ltd				
标记	处数	分区	更改文件号	签名	DATE	HF-A2-3-3 DISCFILTER		MATERIAL	QUANTITY	WEIGHT	SCALE
R	内部评审版					DWG NO		/	1		1:1
A	初步设计					HF-A02-3-00-01					
REV	DESCRIPTION	DESD	DATE	APPD	DATE	APPD	DATE	SHEET		OF	

1

2

3

4

5

6