

1

2

3

4

5

6

A

A

B

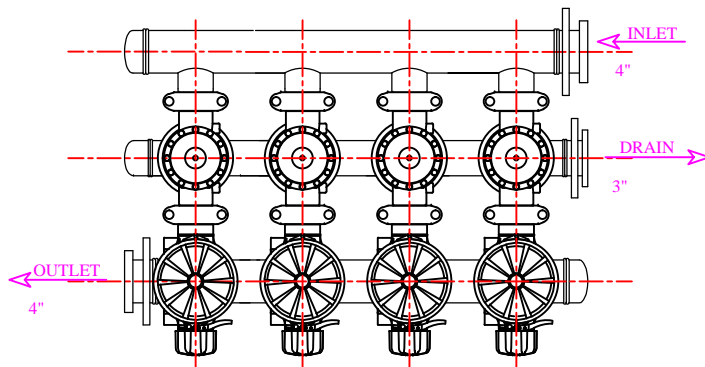
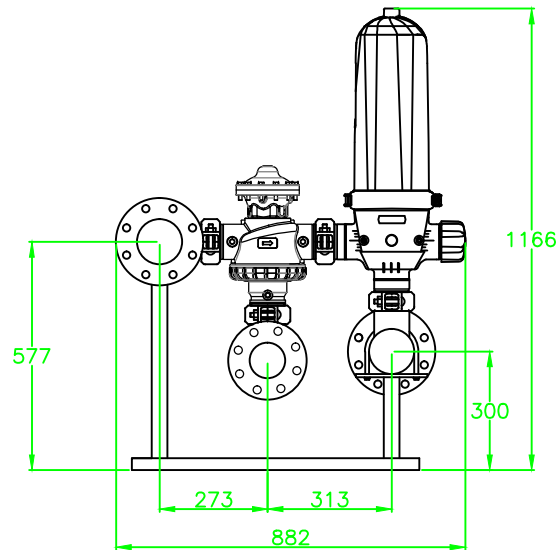
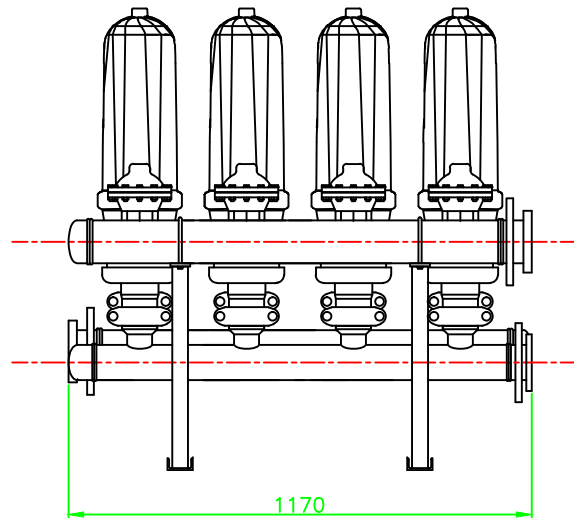
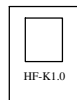
B

C

C

D

D



NOTES:

1. PIPING MATERIAL: PE, Carbon steel st, 304.
2. CONNECTION TYPE: ANSI 150# FLANGE.
3. MANUAL VALVES SHALL BE INSTALLED AT THE INLET AND OUTLET OF THE DISC FILTER.
4. THE DRAIN PIPE SHALL BE CONNECTED TO THE DRAINAGE SYSTEM.
5. POWER SUPPLY: 220V/1PHASE/50HZ.
6. CONCRETE FOUNDATION (HEIGHT: 200MM)
7. AND EXPANSION ANCHOR BOLTS ARE SUGGESTED FOR SITE INSTALLATION.

							Beijing Haihao Technologies Co.,Ltd			
标记	处数	分区	更改文件号	签名	DATE	HF-A3-4-4 DISCFILTER	MATERIAL	QUANTITY	WEIGHT	SCALE
R	内部评审版					DWG NO	/	1		1:1
A	初步设计					HF-A03-4-00-01	SHEET		OF	
REV	DESCRIPTION	DESD	DATE	APPD	DATE	APPD	DATE			

1

2

3

4

5

6